

Powerful drilling in hard tiles.

The diamond drilling system from Bosch.



NEW! Diamond drill bits and holesaws with centring aid and water cooling for drilling precise, clean holes.



BOSCH

Invented for life

Hard tiles are increasingly being used in interior fitting work. Not only as floor tiles, but also for walls in kitchens and bathrooms. The best way to achieve optimum work results when drilling in hard tiles is to use special diamond drill bits and diamond holesaws.

For hard tiles – **Drilling with system.**

Bosch now offers a professional drilling system especially for hard tiles. With efficient water cooling system and practical self-adhesive centring devices for fast and clean drilling.

Diamond for Hard Ceramics drill bits

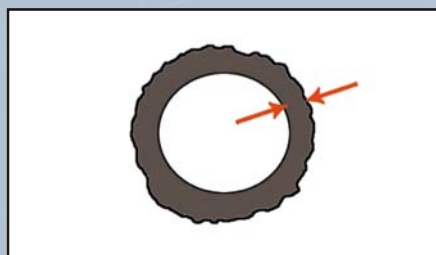
A powerful diamond drill bit range with all commercially available diameters.

Diamond for Hard Ceramics holesaws

The new holesaw specialist for hard tiles. With the tried and tested Power-Change adapter technology for tool-free changing of the holesaws.

Fast and clean due to extra-thin cutting edges.

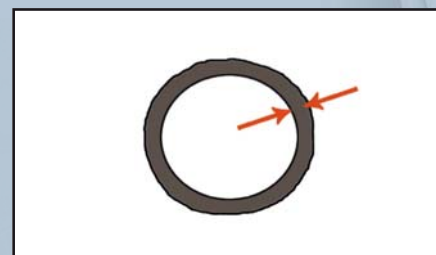
Standard



Cutting edge of diamond drill bit/holesaw

High resistance when drilling due to thick cutting edges. This results in slow work progress.

Bosch



Cutting edge of diamond drill bit/holesaw

Particularly fast, clean holes due to extra-thin cutting edges for less resistance.

For all drilling applications in hard tiles.

- ▶ Ideal for fast drilling of precise holes with clean cut edges in all hard tiles.
- ▶ Diamond drill bits and diamond holesaws with long lifetime thanks to high-quality diamonds and efficient water cooling.
- ▶ Constantly high water pressure. For working up to 1.5 metres above the pressurised bottle.
- ▶ Large-volume pressurised bottle for drilling several holes.
- ▶ Centring aids for drill bits and holesaws guarantee exact positioning of drilled holes. What's more, the self-adhesive centring aids enable damage-free working on the tiles.



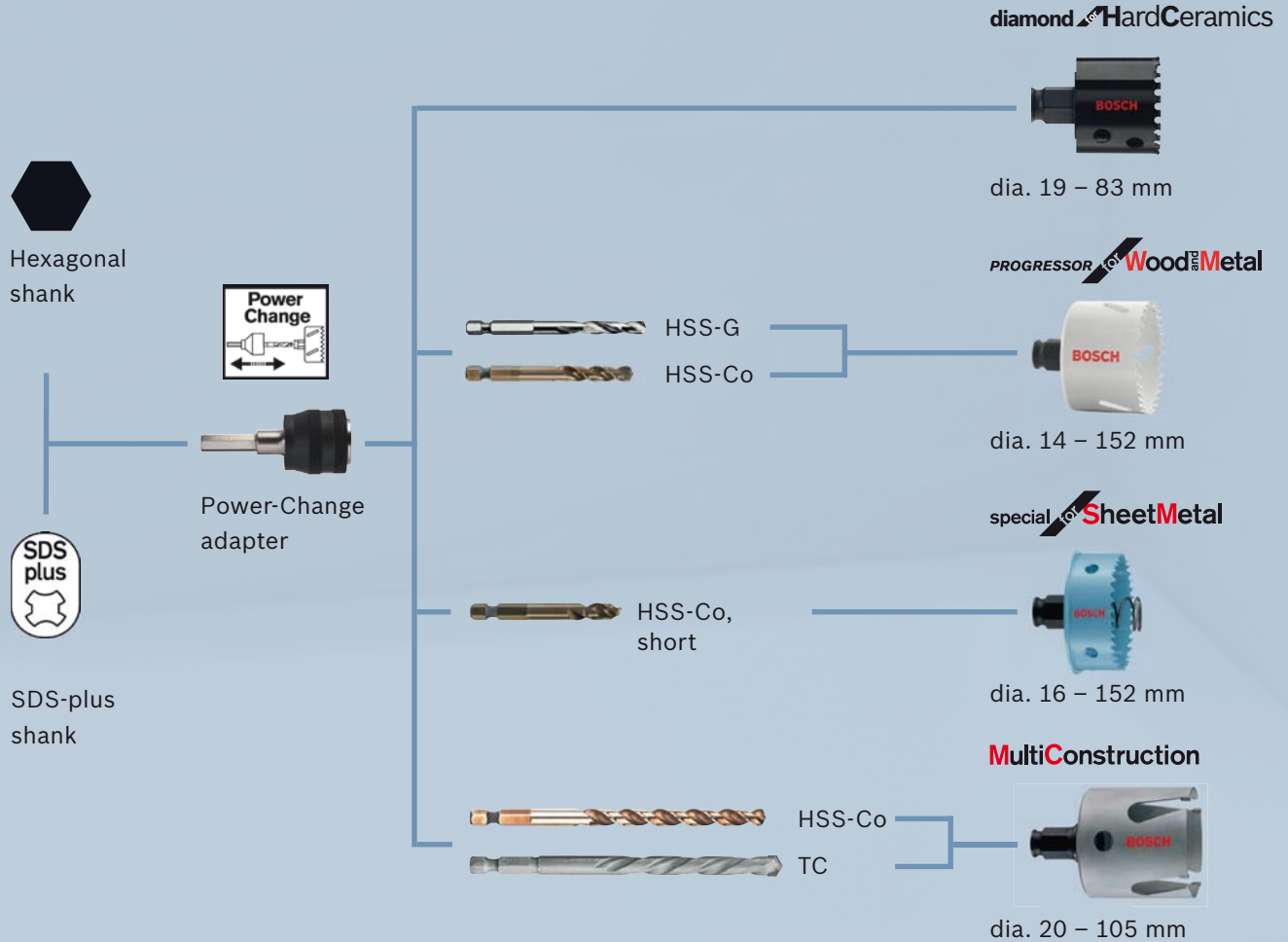
The Power-Change adapter technology:

Simply clicks into place.



Always the right holesaw.

The adapter is as unique as the tool itself: Now all you need is one adapter for all conventional drills and holesaw diameters.



Tips for drilling in hard tiles.

When drilling in hard tiles optimal results are achieved not only with the appropriate accessories, but also with the right handling:



- ▶ For safety reasons, always use a cordless machine.
- ▶ Drill only with water cooling.
- ▶ Always use a self-adhesive centring device to prevent tile damage.
- ▶ Use diamond drill bits only for tiles. Use material-specific drill bits to drill additional holes in masonry.



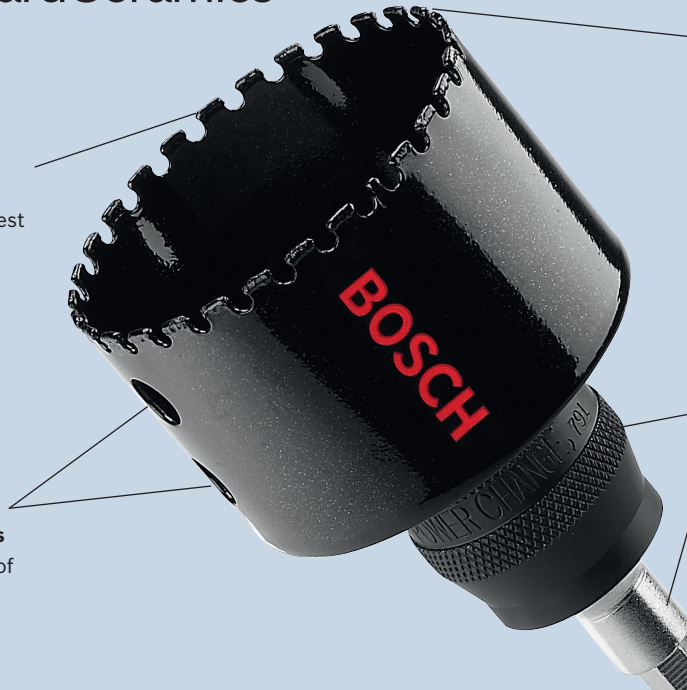
- ▶ Effortless removal of the drill core via the side holes or the shank.

diamond for HardCeramics

Scope of range
dia. 19 - 83 mm

Diamond coating
For a long life in the hardest tiles

Special side holes
For easy removal of core pieces



Thin cutting edge
For fast, clean cuts

Power-Change adapter
For fast and safe attachment and release of the holesaw, with just one click.

Diamond holesaws for Hard Ceramics

- ▶ The cutting quality depends on the correct speed and the coolant used (see operating instructions).



	Diameter in mm	Diameter in inches	Part number	Sales package quantity	Despatch package qty	Barcode 3165140...	List Price ex vat
Product properties	Ordering information						
19		3/4	2 608 580 301	1	1	488990	9,50
20		25/32	2 608 580 302	1	1	489003	10,12
22		7/8	2 608 580 303	1	1	489010	10,78
25		1	2 608 580 304	1	1	489027	11,48
29		1 1/8	2 608 580 305	1	1	489034	12,22
32		1 1/4	2 608 580 306	1	1	489041	13,02
35		1 3/8	2 608 580 307	1	1	489058	13,99
38		1 1/2	2 608 580 308	1	1	489065	15,25
41		1 5/8	2 608 580 394	1	1	515160	16,24
44		1 3/4	2 608 580 309	1	1	489072	17,46
51		2	2 608 580 310	1	1	489089	18,77
54		2 1/8	2 608 580 311	1	1	489096	19,99
57		2 1/4	2 608 580 312	1	1	489102	21,29
60		2 3/8	2 608 580 313	1	1	489119	22,67
64		2 1/2	2 608 580 314	1	1	489126	24,03
65		2 9/16	2 608 580 315	1	1	489133	25,48
67		2 5/8	2 608 580 316	1	1	489157	27,00
68		2 11/16	2 608 580 317	1	1	489164	28,62
70		2 3/4	2 608 580 318	1	1	489171	30,34
76		3	2 608 580 319	1	1	489188	32,16
79		3 1/8	2 608 580 320	1	1	489195	34,09
83		3 1/4	2 608 580 321	1	1	489201	36,14

Accessories for diamond holesaws for Hard Ceramics

Product properties	Ordering information	Part number	Sales package quantity	Despatch package qty	Barcode 3165140...	List Price ex vat
--------------------	----------------------	-------------	------------------------	----------------------	--------------------	-------------------



Power-Change adapter with 8-mm hex shank. For holesaw diameter 14-152 mm. Without pilot drill bit.

	2 608 584 844	1	1	429245		12,32
--	----------------------	---	---	--------	--	-------



Power-Change adapter Heavy Duty with 11-mm hex shank. Without pilot drill bit.

	2 608 580 095	1	1	469500		13,49
--	----------------------	---	---	--------	--	-------



Power-Change adapter with SDS-plus shank. For holesaw diameter 14-152 mm. Without pilot drill bit.

	2 608 584 845	1	1	429252		19,50
--	----------------------	---	---	--------	--	-------

Diamond drill bits for Hard Ceramics

- ▶ **Suitable for** soft wall tiles through to very hard floor tiles such as fine stoneware
- ▶ **Note:** Drill without impact. Always work with water cooling. Only work with cordless drills.



Product properties	Diameter in mm	Ordering information	Part number	Sales package quantity	Despatch package qty	Barcode 3165140...	List Price ex vat
	5	2 608 550 605	1	1	495721		19,22
	6	2 608 550 606	1	1	495738		20,07
	7	2 608 550 607	1	1	495745		20,92
	8	2 608 550 608	1	1	495752		22,20
	10	2 608 550 609	1	1	495769		24,30
	12	2 608 550 610	1	1	495776		26,62
	14	2 608 550 611	1	1	495783		26,85

Robust Line diamond drill bit sets for Hard Ceramics

- **Suitable for** soft wall tiles through to very hard floor tiles such as fine stoneware
- **Note:** Drill without impact. Always work with water cooling. Only work with cordless drills.



Set size A:
156.5 x 69.5 x 21.5 mm

Product properties	Diameter in mm	Part number	Sales package quantity	Despatch package qty	Barcode 3165140...	List Price ex vat
Ordering information						
4-piece diamond drill bit set						
	6 8 10 14	2 607 019 880	4	1	495790	88,68
	5 6 7 8	2 607 019 881	4	1	495806	78,00

Accessories for diamond drill bits and diamond holesaws



Product properties	Part number	Sales package quantity	Despatch package qty	Barcode 3165140...	List Price ex vat
Ordering information					
Centring aid for diamond drill bits For centring the diamond drill bit					
	2 608 598 142	1	1	495813	18,78



Drilling pilot For centring the diamond holesaw					
	2 608 580 327	1	1	489683	32,18



Pressurised water bottle For water cooling of the diamond drill bits and holesaws Max. filling capacity 0.9 L Including hose (1.8 m long)					
	2 608 190 048	1	1	495820	15,43

Accessories for **Work Safety**

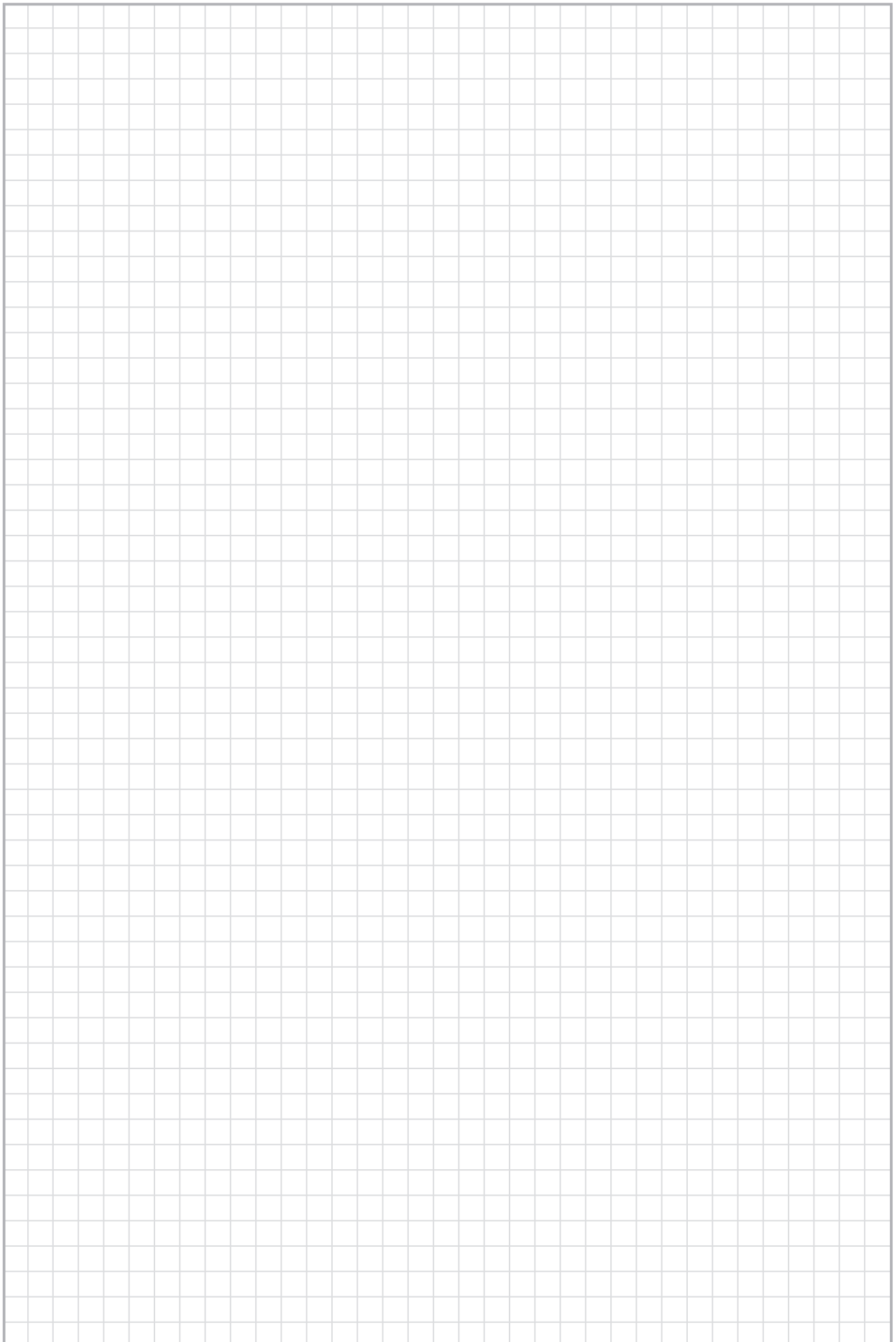
Protective goggles

Product properties	Ordering information
Tested to	Part number
	Sales package quantity
	Despatch package qty
	Barcode 3165140...
	List Price ex vat



Protective goggles
Fully transparent, can be worn over glasses.

EN 166	2 607 990 041	1	1	093705	9,35
--------	---------------	---	---	--------	------



Packaging

that holds clear information.



Box with Euro hole



Folding blister with Euro hole



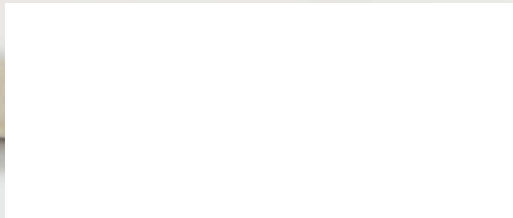
Box with Euro hole



Cassette with Euro hole



Bag with tab card and Euro hole



Robert Bosch Limited
Power Tool Division
PO Box 98, Uxbridge,
Middlesex, UB9 5HN.
United Kingdom
www.boschpowertools.co.uk



BOSCH
Invented for life